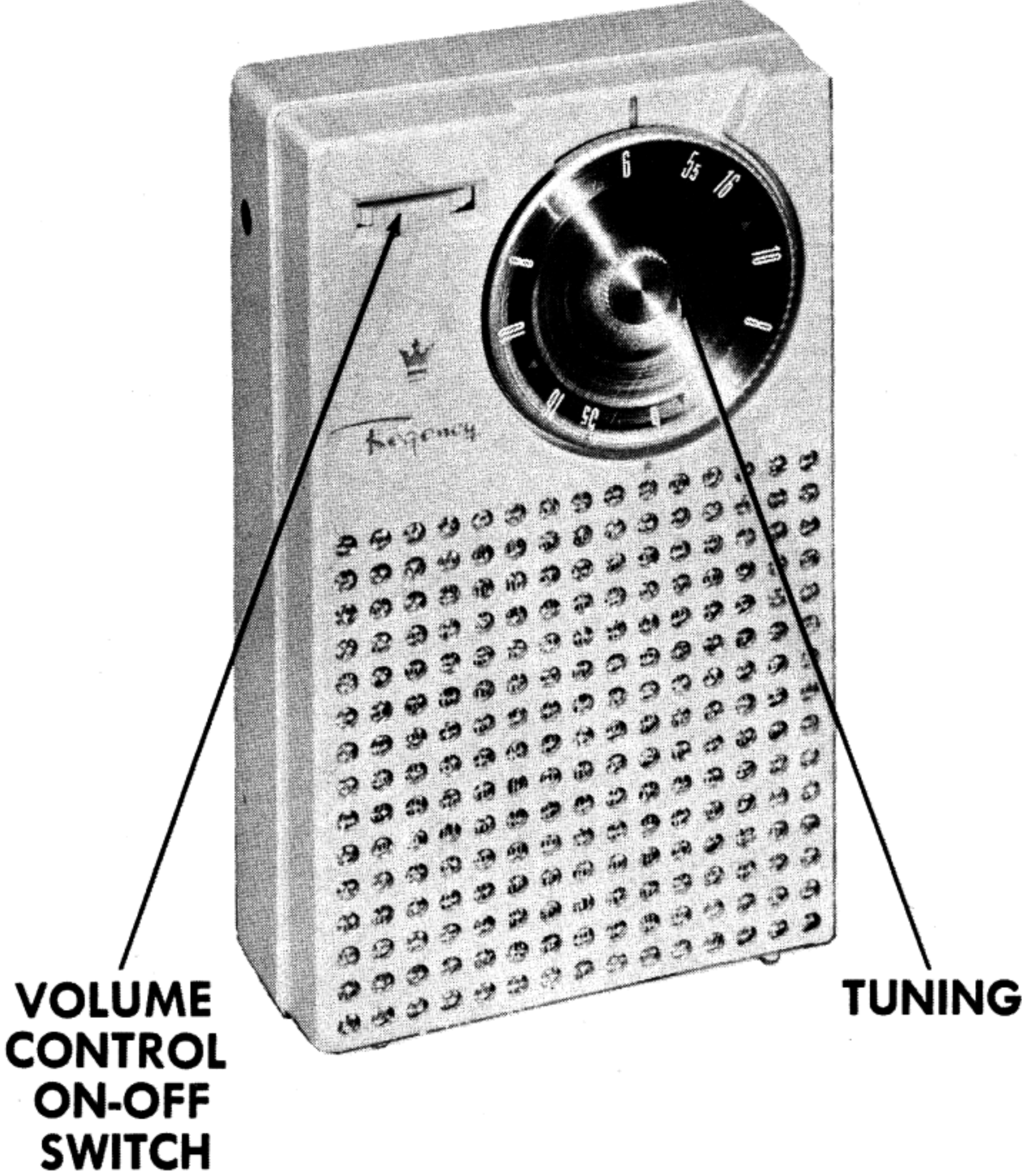




**REGENCY
MODEL TR-1**



**REGENCY
MODEL TR-1**

TRADE NAME	Regency Model TR-1
MANUFACTURER	Regency Div., I.D.E.A., Inc., 7900 Pendleton Pike, Indianapolis 26, Indiana
TYPE SET	Battery Operated Portable Transistorized AM Superheterodyne Receiver
POWER SUPPLY	22½ Volts "B" Battery RATING Approx. 4 MA @ 22½ Volts DC
TUNING RANGE—BROADCAST	535KC-1630KC

ALIGNMENT INSTRUCTIONS—READ CAREFULLY BEFORE ATTEMPTING ALIGNMENT

Volume control should be at maximum position. Output of signal generator should be no higher than necessary to obtain and output reading. Use an insulated alignment screwdriver for adjusting.

DUMMY ANTENNA	SIGNAL GENERATOR COUPLING	SIGNAL GENERATOR FREQUENCY	RADIO DIAL SETTING	OUTPUT METER	ADJUST	REMARKS
1.	Loop	262KC (400vMod)	Tuning gang fully open	Across ear-phone jack	A1, A2, A3	Fashion loop of several turns of wire and radiate signal into loop of receiver. Adjust for maximum output.
2.	"	535KC	Tuning gang fully closed	"	A4	"
3.	"	1630KC	Tuning gang fully open	"	A5	Fashion loop of several turns of wire and radiate signal into loop of receiver. Adjust for maximum output. Repeat steps 2 and 3.
4.	"	1500KC	Tune for max. signal	"	A6	Fashion loop of several turns of wire and radiate signal into loop of receiver. Adjust for maximum output. With tuning gang fully open, freq. range should extend to 1630KC. If not, repeat steps 3 and 4.

FOR THOSE PERSONS DESIRING MORE SERVICE INFORMATION ON SERVICING TECHNIQUES OF TRANSISTORIZED RECEIVERS, THE ARTICLE, "SERVICING THE TRANSISTOR RADIO" IN THE MARCH, 1955 ISSUE OF THE PF REPORTER, IS RECOMMENDED.

HOWARD W. SAMS & CO., INC. • Indianapolis 5, Indiana

"The listing of any available replacement part herein does not constitute in any case a recommendation, warranty or guaranty by Howard W. Sams & Co., Inc., as to the quality and suitability of such replacement part. The numbers of these parts have been compiled from information furnished to Howard W. Sams & Co., Inc., by the manufacturers of the particular type of replacement part listed."
 "Reproduction or use, without express permission, of editorial or pictorial con-

tent, in any manner, is prohibited. No patent liability is assumed with respect to the use of the information contained herein. Copyright 1955 by Howard W. Sams & Co., Inc., Indianapolis 5, Indiana, U. S. of America. Copyright under International Copyright Union. All rights reserved under Inter-American Copyright Union (1910) by Howard W. Sams & Co., Inc." Printed in U. S. of America

PARTS LIST AND DESCRIPTIONS TRANSISTORS

REGENCY
MODEL TR-1

ITEM No.	REGENCY PART No.	USE	NOTES
X1	100-626	Converter IF Amplifier IF Amplifier Output	① C10 must be replaced with cap. supplied with transistor if different value. ② C13 must be replaced with cap. supplied with transistor if different value.
X2	100-767		
X3	100-767		
X4	100-628		

CAPACITORS

Capacity values given in the rating column are in mfd. for Electrolytic and Paper Capacitors, and in mmfd. for Mica and Ceramic Capacitors.

ITEM No.	RATING CAP. VOLT	REPLACEMENT DATA					
		REGENCY PART No.	CENTRALAB PART No.	ERIE PART No.	MALLORY PART No.	PYRAMID PART No.	SANGAMO PART No.
C1	5	100-474-3					
C2	40	100-473-1					
C3	2	100-473-2					
C4	40	20-075-23					
C5	20000	100-771					
C6	268	20-075-22					
C7	10000	20-075-21	DD-103	811-01	DC-511		
C8	1000	20-075-21	DD-102	811-102	DC-521		Note 1
C9	50000	100-772					
C10	1000	20-075-21	DD-102	811-102	DC-521		
C11	50000	100-772					
C12	1000	20-075-21	DD-102	811-102	DC-521		Note 1
C13	20000	20-075-23	DD-203	817-02	DC-521		
C14	1000	20-075-21	DD-102	811-102	DC-521		
C15	20000	20-075-23	DD-203	817-02	DC-521		
C16	1000	20-075-21	DD-102	811-102	DC-521		

Note 1. If capacitor is replaced, replace with identical value. If transistor is replaced, capacitor must be replaced with capacitor supplied with transistor if it is a different value than the original.

CONTROLS

ITEM No.	RATING RESISTANCE WATTS	REPLACEMENT DATA				INSTALLATION NOTES
		REGENCY PART No.	CLAROSTAT PART No.	CENTRALAB PART No.	MALLORY PART No.	
R1	10000Ω	100-596-2				Volume

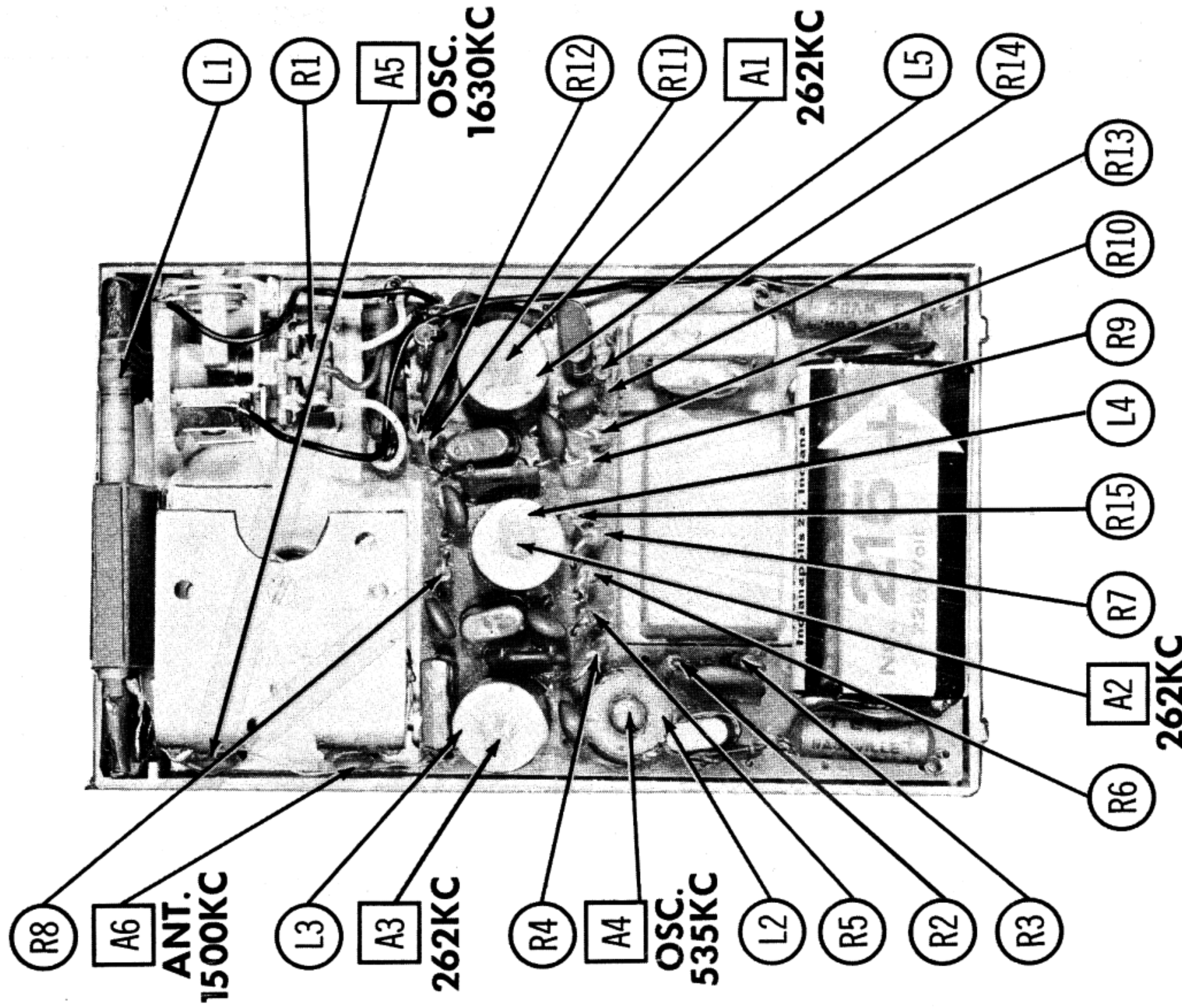
RESISTORS

ITEM No.	RATING		REPLACEMENT DATA		NOTES
	OHMS	WATT	REGENCY PART No.	IRC PART No.	
R2	470KΩ	1/3		BTR-470K	
R3	10KΩ	1/3		BTR-10K	
R4	2200Ω	1/3		BTR-2200	
R5	100KΩ	1/3		BTR-100K	
R6	560Ω	1/3		BTR-560	
R7	2200Ω	1/3		BTR-2200	
R8	560Ω	1/3		BTR-560	
R9	2700Ω	1/3		BTR-2700	
R10	2200Ω	1/3		BTR-2200	
R11	560Ω	1/3		BTR-560	
R12	2700Ω	1/3		BTR-2700	
R13	3900Ω	1/3		BTR-3900	
R14	33KΩ	1/3		BTR-33K	
R15	1000Ω	1/3		BTR-1000	

TRANSFORMER (AUDIO OUTPUT)

ITEM No.	IMPEDANCE		REPLACEMENT DATA				NOTES	
	PRI.	SEC.	REGENCY PART No.	Haldorson PART No.	Merit PART No.	Stancor PART No.		Thornderson PART No.
T1	9.8KΩ	15Ω	100-629					

CHASSIS—TOP VIEW



Free Sample from www.TheSchematicMan.com
NOT FOR RESALE

PARTS LIST AND DESCRIPTIONS (Continued)

SPEAKER

ITEM No.	RATINGS		REPLACEMENT DATA		NOTES
	SIZE	FIELD	REGENCY PART No.	QUAM PART No.	
SP1	2 3/4"	PM 15Ω	100-766		

COILS (RF-IF)

ITEM No.	USE	DC RES.		REPLACEMENT DATA			NOTES
		PRI.	SEC.	REGENCY PART No.	MEISSNER PART No.	MILLER PART No.	
L1	Ant. Coil	5.3Ω		300-432			Tapped @ .2Ω * Tapped @ .2Ω
L2	Osc. Coil	1.3Ω	11Ω *	100-731			
L3	1st. IF Trans	8.5Ω	.85Ω	100-728			
L4	2nd. IF Trans	9Ω	1Ω	100-728			
L5	3rd. IF Trans	8.5Ω	1Ω	100-728			

BATTERIES

ITEM No.	VOLTAGE	REGENCY PART No.	REPLACEMENT DATA			INSTALLATION NOTES
			EVEREADY	BURGESS		
M1	22.5V	215	"A"	"A-B"	"A-B"	
			"B"	"B"	U15 or Y15	

CRYSTAL DIODES

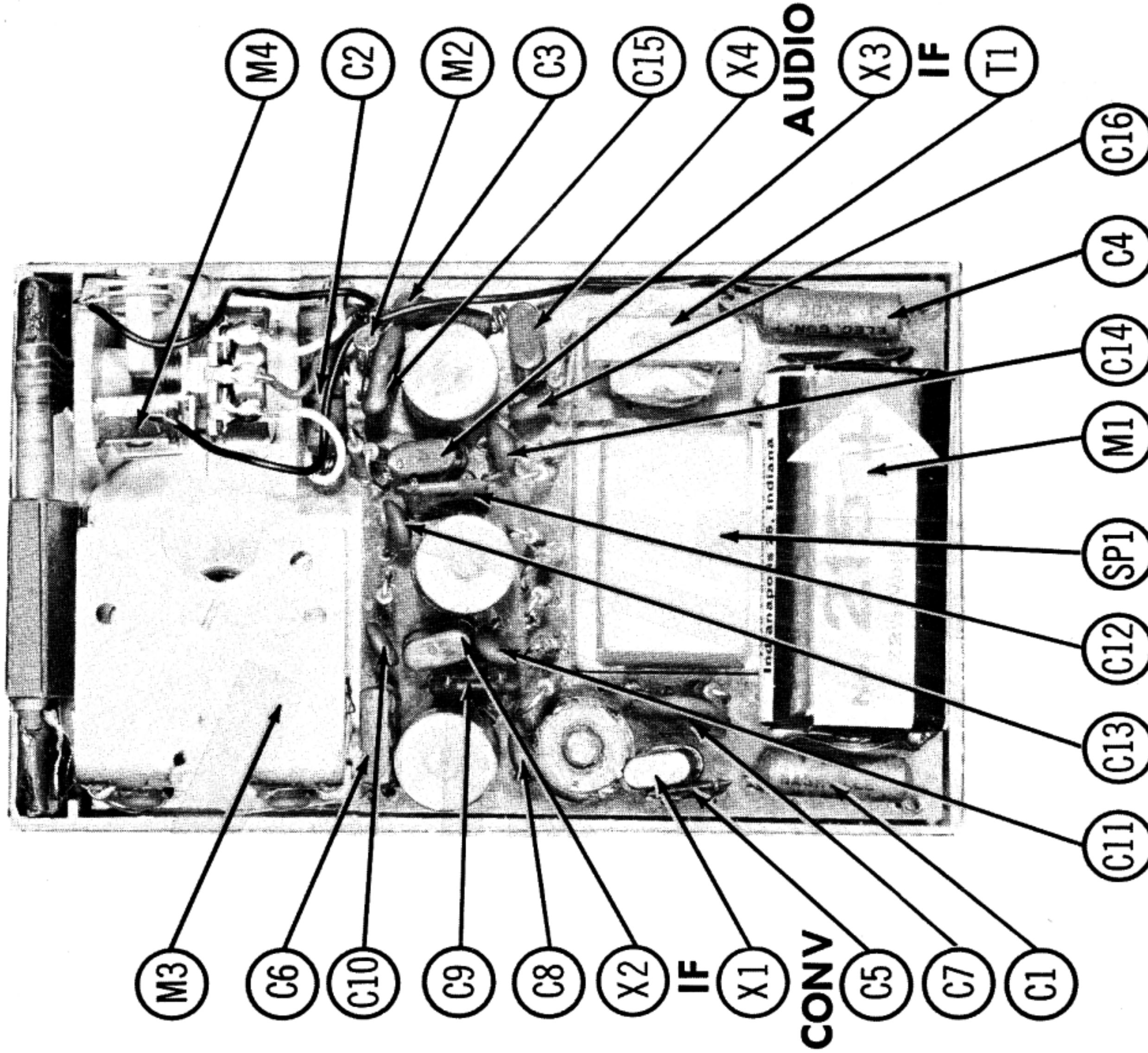
ITEM No.	ORIG. TYPE	REPLACEMENT DATA		NOTES
		REGENCY PART No.	SYLVANIA PART No.	
M2	CK706A *	IN60 or IN132		Audio Det.

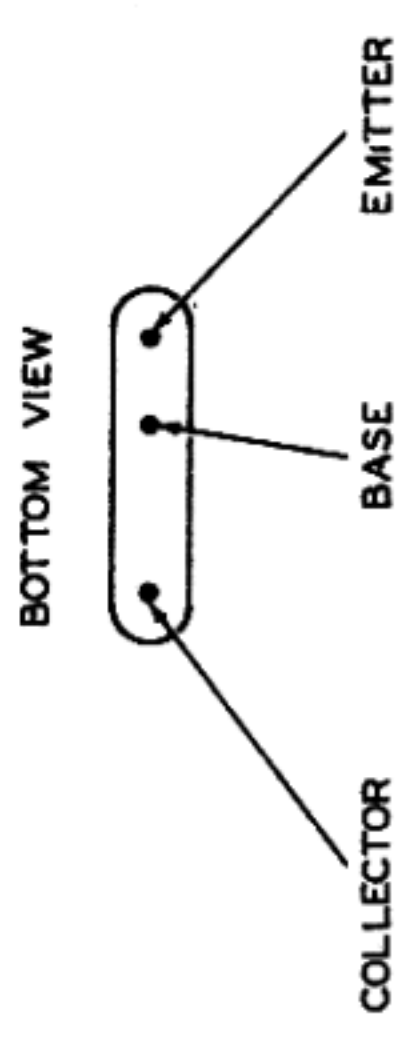
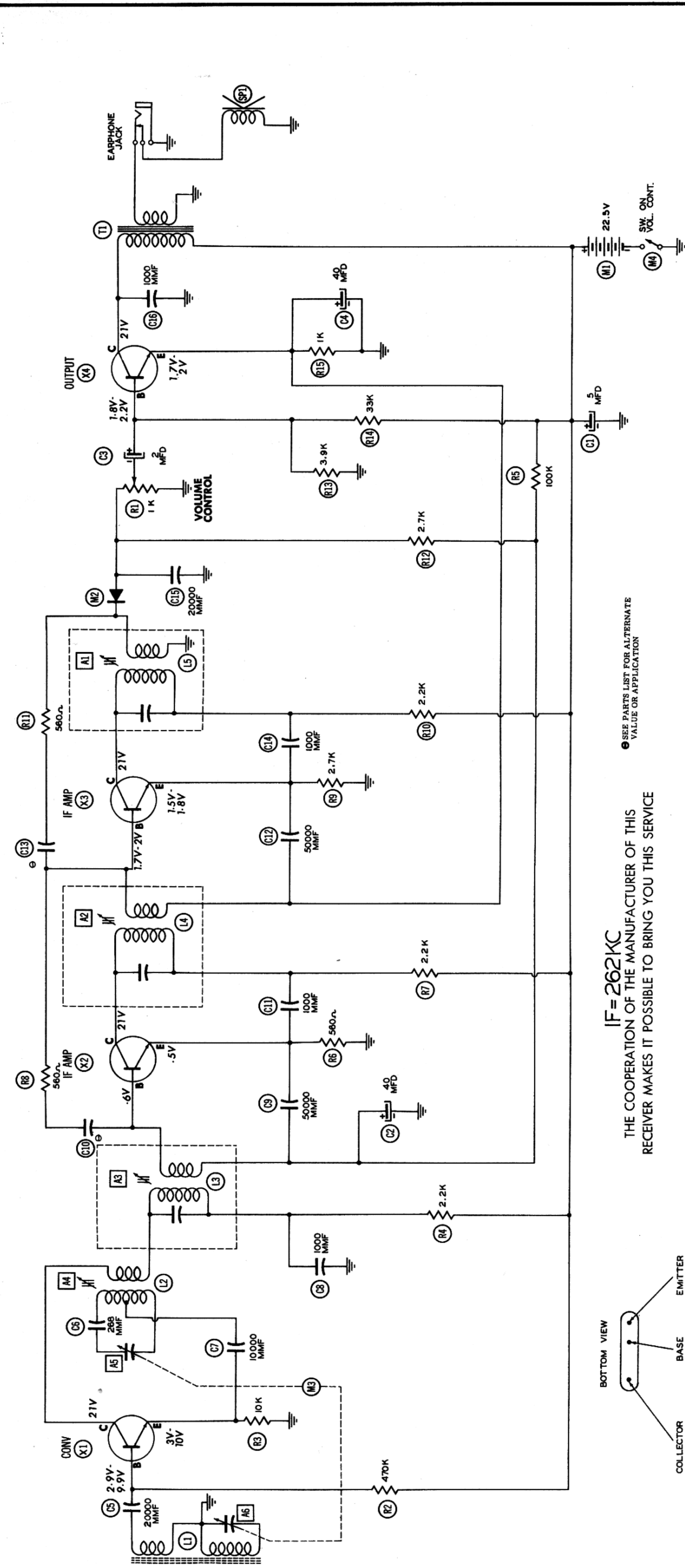
* Some versions may use DR117 crystal diode in this application.

MISCELLANEOUS

ITEM No.	PART NAME	REGENCY PART No.	NOTES
M3	Tuning Cap. Switch	300-433	2 Gang (9-135MMF, 8-110MMF) On-off (Switch consists of two contacts actuated by volume control knob) Contact part # 300-437 and 300-439 Volume
M4	Case Knob Dial	600-061 300-435 100-732	

CHASSIS—TOP VIEW





IF = 262 KC
 THE COOPERATION OF THE MANUFACTURER OF THIS
 RECEIVER MAKES IT POSSIBLE TO BRING YOU THIS SERVICE

SEE PARTS LIST FOR ALTERNATE
 VALUE OR APPLICATION

Transistor Item No.	BASE	EMITTER	COLLECTOR
X1	7KΩ	10KΩ	12.2KΩ
X2	600Ω	550Ω	12.2KΩ
X3	750Ω	2.7KΩ	12.2KΩ
X4	850Ω	750Ω	1850Ω

CAUTION: DO NOT USE OHMMETER HAVING INTERNAL BATTERY LARGER THAN 3 VOLTS OR TRANSISTORS MAY BE DAMAGED.
 RESISTANCE MEASUREMENTS TAKEN WITH POSITIVE VOLTAGE PROBE (NOT NECESSARILY THE RED PROBE) CONNECTED TO TERMINAL BEING MEASURED.
 † MEASURED FROM BATTERY B; TERMINAL CLIP.
 ‡ VOLTAGE MEASUREMENTS TAKEN WITH NO SIGNAL APPLIED.

Free Sample from www.TheSchematicMan.com
 NOT FOR RESALE

A PHOTOFACT STANDARD NOTATION SCHEMATIC
 © Howard W. Sams & Co., Inc. 1955



THE SCHEMATIC MAN .com

Publication Digitized and Provided By

Steve's Antique Technology

Vintage Schematics and Publications

www.StevenJohnson.com

Digital File Copyright © 2010 www.StevenJohnson.com Auburn NY